

Assembly/Operating Instructions

Luma 2/R Projection Screen with Floor Stand by Draper

⚠ Caution

- ① Read and understand these instructions; keep them for future reference. Follow instructions carefully.
 - ② Care in both mounting and correct operation will mean long and satisfactory service from your Draper screen.
 - ③ Locate the screen where the audience can best see it, and where other room furnishings permit.
 - ④ Screen and floor stand should be assembled level.
- NOTE:** Screen has been thoroughly inspected and tested at factory and found to be operating prior to shipment.

Screen Assembly/Operation

- ① Place screen case into Outrigger Feet. Place so screen case is centered, and set screws will tighten against flat back of case. Flat back of case will face away from audience (viewing surface will face audience).
- ② Tighten set screws against flat back of case to hold in place.
- ③ To raise screen, pull bail upward in a fluid motion. Hang bail on bail hook to hold in place (see Fig. 2).

⚠ **Caution:** Lower screen to closed position when not in use.

Floor Stand Assembly

NOTE: Please refer to Fig. 1 below for these steps.

- ① Place center foot assembly on floor.
- ② Attach Outrigger Feet using provided set screws.
- ③ Lower Telescoping Upright into recess, making sure bail hook is facing the audience. Make sure upright locks into position.

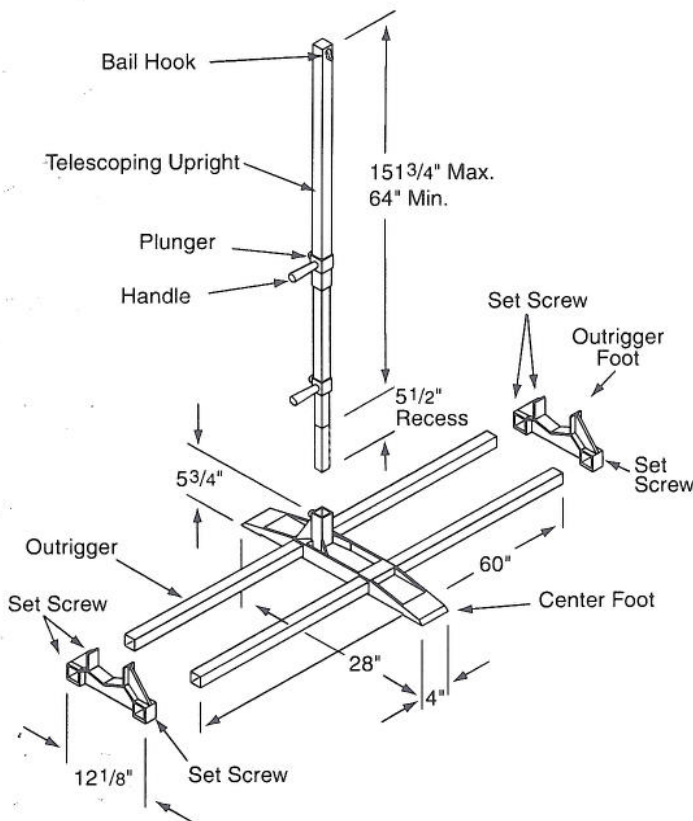


Figure 1

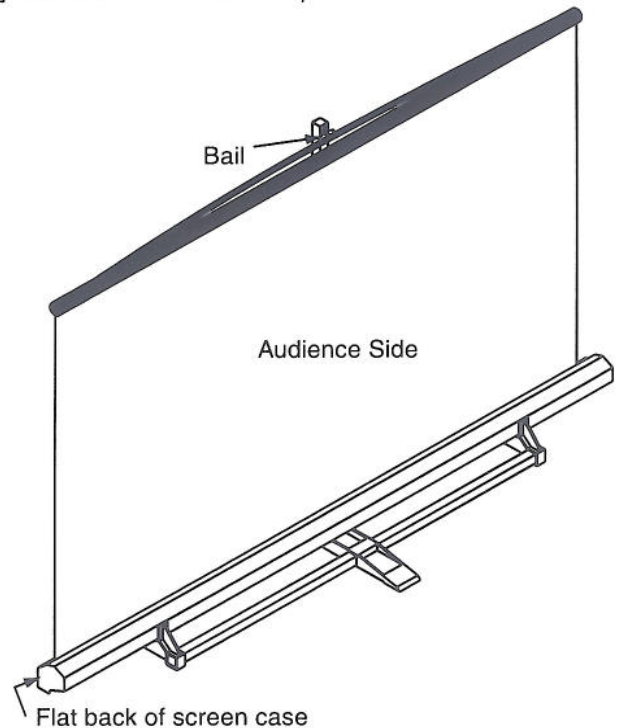


Figure 2

Adjusting Screen Height:

To increase height:

- ① Grasp handle on telescoping upright.
- ② Depress and hold plunger.
- ③ Slide upright to desired position by pulling up on handle.
- ④ Release plunger.

To decrease height:

- ① Grasp handle on telescoping upright.
- ② Depress and hold plunger while exerting upward pressure on handle.
- ③ Gently allow screen to lower to desired height.
- ④ Release plunger.

DRAPER®

411 S. Pearl St., Spiceland, IN 47385 USA ■ 765-987-7999
www.draperinc.com ■ fax 765-987-7142